



Panorama

Facts // News // Information

- **Review 2016 / Preview 2017**

2016 the most successful year in REKNOW history

The last year was the most successful year for REKNOW in the ninth year of company's existence. Well known customers could be acquired and the licenses stock of existing customers could be extended.

bauma 2016 and 3. EMM-Check Customer Days

The successful presentation of **EMM-Check** at the bauma 2016 in Munich - we would like to say thank you to Mekra Lang GmbH & Co. KG, who gave us hospitality at their booth - as well as the great-interest Customer Days in September have contributed to the growing success of REKNOW.

EMM-Check Version 4.2.0.0

In the passed weeks our developer team focused on the finishing of the announced release 4.2.0.0. They did an excellent job! In the meantime the Beta-Tests started. The official release of this productive and extended release (e.g. support of HTC-Vive®) is scheduled for March 2017.

New EMM-Check Standards in 2017

REKNOW is planning the implementation of new standards in 2017. For instance the DIN EN 16842 and the 2008/2/EG that was already planned for 2016, but pushed back for the more urgent implementation of the ECE R46. All manufacturers of earth moving machinery are awaiting the revised ISO 5006. And so does REKNOW. We are also waiting for the release of the *final draft* which is the base for the implementation in **EMM-Check**. The new revision of ISO 5006 will be free for all customer that today already use the standard ISO 5006:2006.

4. EMM-Check Customer Day and Agritechnica 2017

The 4. Customer Day will take place as a central event in Frankfurt/Main in September. Our participation at the Elmia Wood and the Agritechnica 2017 will be a new chance for us to get in touch with you and have intense discussions.

- **EMM-Check Customer Day 2017**

The participants of our survey about the location of the **EMM-Check** Customer Days have decided for a central event in Frankfurt/Main. We will follow this decision and will organize the next **EMM-Check** Customer Day at 26th of September 2017 at the Maritim Hotel Frankfurt in Frankfurt/Main.

We would like to say thank you to all participants of our survey. Please note that the number of participants for the Customer Day is limited to 40. Therefore we ask you to register as soon as possible!

- **Beta-Test EMM-Check 4.2.0.0**

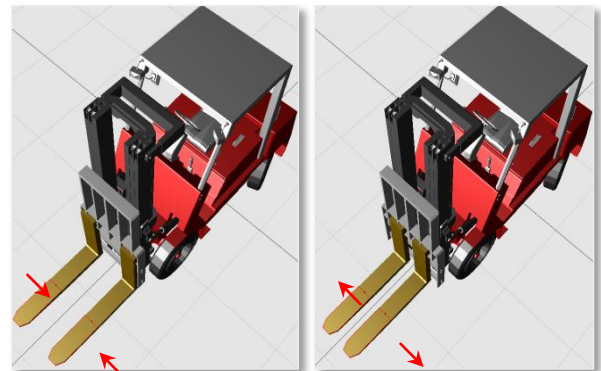
The Beta-Version of **EMM-Check 4.2.0.0** is available for a three month test period for free. The new release can be tested parallel to the productive release and licenses. The productive release of **EMM-Check 4.2.0.0** is scheduled for March 2017.

- **Rules in EMM-Check**

We would like to explain selected functions of **EMM-Check** also in this edition of **Panorama**. Today we will focus the four available rules in **EMM-Check**.

Rule

The "Rule" (or „Simple Rule“) can be used to define linear kinematic dependencies between vehicle components. The translation and rotation of a source component hereby controls the movement of a target component linear. This can be combined with a factor.



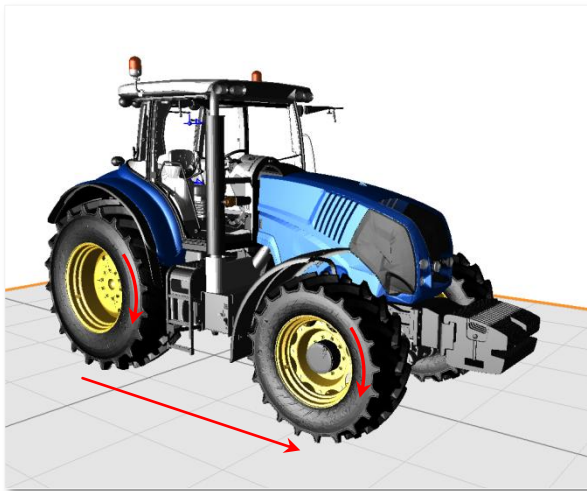
Extended Rule

The "Extended Rule" can be used for the definition of non-linear dependencies between vehicle components. The translation and rotation of a source component hereby controls the movement of a target component. The movement can be controlled by a graph that can be modified by clicking with the mouse or entering pairs of values.



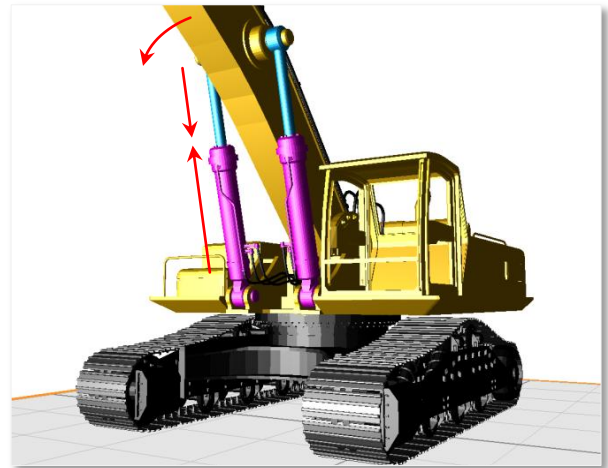
DoF-Rule

The "DoF-Rule" (DoF: Abbreviation for „Degree of Freedom“) can be used to combine different degrees of freedom of two vehicle components. If the source component for example moves along the y-axis, the target component can rotate over the x-axis. This can be used for the realistic movement of wheels in dependence of the forward/backward movement of the vehicle and to produce a realistic VR-feeling.



Alignment Rule:

By using the "Alignment Rule", a component can be aligned to a reference point. The component will then always be aligned to the reference point. This is useful to simulate the movement of hydraulic cylinders in **EMM-Check**.



• Safe the date 2017

Please note the following events in 2017:

- ELMIA Wood
 - **07.-10. of June 2017, Jönköping, Sweden**
 - **REKNOW at the booth of MEKRA Lang**
- EMM-Check Customer Day 2017
 - **26th of September 2017, Frankfurt/Main**
- Agritechnica 2017
 - **12.-18. of November 2017, Hannover**
 - **REKNOW at the booth of MEKRA Lang**

• Information / Contact

Latest news about **EMM-Check** can be found on our website www.reknow.de/emm-check.

You can contact us by phone under this number

+49 (0)40 98 76 00 02

or calling our hotline

0800 735 66 99

free from German land line

You can also send us a mail to info@reknow.de.

• Last but not least

Again an eventful year is coming to an end. We would like to take this chance and say thank you for your confidence in us and the pleasant cooperation.

We and our team wish you a merry Christmas and a healthy and successful new year.



Dirk Janßen
General Manager

Sebastian Schneider
General Manager